

SPA 2120 / SPA 2240

SINEWAVE POWER AMPLIFIERS



MAIN CHARACTERISTICS

- 2 audio outputs (selection from 100 / 70 / 8 ohm outputs)
- Fault reporting outputs
- Two audio inputs with gain-set
- Supervision of the amplifiers using DIVA8 or IDA8 controllers
- Advanced audio processing for each amplifier channel using DIVA8 or IDA8 controllers and slaves
- Amplifier supervision and spare amplifier switching using DIVA8 or IDA8 controllers and slaves
- Loudspeaker line and loudspeaker supervision using DIVA8 or IDA8 controllers and slaves

CONTROLS AND INDICATORS

- LED VU metering
- Status indicators for: Overload, Temperature control, Battery and Mains

INTERCONNECTIONS

Rear

- Rotary volume control
- Mains switch
- Mains input
- Battery backup input
- Two line inputs
- 100 V, 70 V, and 8 ohm outputs (for each amplifier channel)

CERTIFICATIONS AND APPROVALS

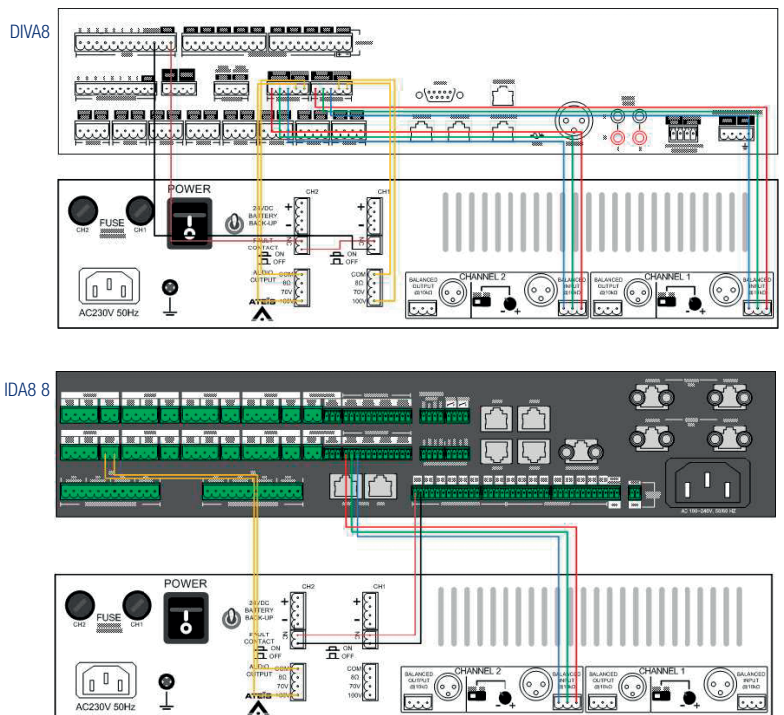
REGION	CERTIFICATIONS	
Europe	CE	CE – 0359 (Intertek)
	Immunity	according to EN50103-4
	PAVA	EN54-16 certified 2012

There are two types of power amplifier units in the SPA-PAVA product range. The overall power rating is 2x 120 or 2x240 watts. The power amplifiers can be set to 100 V, 70 V and 8ohm output tapping's. They have short-to-ground, short-circuit detection and line-impedance surveillance up to 5% deviation using the DIVA8 and IDA8 range of products for loudspeaker-line surveillance.

They support both single-spure and redundant loop cabling (A/B). The amplifiers have a changeover facility for spare power amplifier switching. Both features are facilitated by the DIVA8 and IDA8 controllers and slaves. The amplifiers have a 24 VDC back-up supply input.

FUNCTIONS

The power amplifiers receive line-level input signals from the DIVA8 and IDA8 controllers and slaves. The display shows the VU-meter reading, when the EN54-16 default switch is inhibited.



SPA 2120 / SPA 2240

SINEWAVE POWER AMPLIFIERS

PARTS INCLUDED

Quantities	Components
1	SPA 2xxx Sinewave Power Amplifier
1	Power cord
1	Set of mounting brackets for 19" rack
1	Set of connectors
1	Set of feet

TECHNICAL SPECIFICATIONS

Electrical

Mains power supply

Voltage	230 VAC \pm 10%, 50/60 Hz
Power consumption**	standby - idle* - Pmax
SPA 2120	28 W – 150 W – 322 W
SPA 2240	64 W – 287 W – 655 W

* Idle: Measured with 10 Volt surveillance tone on the output.

** (Total Mains-power consumption)

Battery power supply

Voltage	21-28 VDC
Power consumption**	standby - idle* - I _{max}
SPA 2120	0.25 A – 2.9 A – 6.4 A
SPA 2240	0.30 A – 5.47 A – 12.3 A

** (Per ch. @ 28 VDC)

* (Alarm cycle + 10 V pilot-tone @ 28 VDC)

Line inputs 2 x (One per channel)

Connector (electronically balanced)	3-pin XLR and 3-pin phoenix balanced
Frequency response	+/-3 dB @ 40 Hz and 20 kHz
S/N	>90 dBA
THD	< 1% @ 1 kHz
Input range	-6 dBV to 6 dBV / 770mV
Input impedance	22 kohm

Loudspeakers outputs SPA2120

Rated load resistance	100 ohm (100 V); 50 ohm (70 V)
Rated load capacitance	60 nF (100 V); 125 nF (70 V)
Rated output power (per channel)	120 W (cont. at 40°C)

Loudspeakers outputs SPA2240

Rated load resistance	40 ohm (100 V); 20 ohm (70 V)
Rated load capacitance	125 nF (100 V); 250 nF (70 V)
Rated output power (per channel)	240 W (cont. at 40°C)

Frequency response 40 Hz to 20 kHz(-3 dB)

S/N	>90 dB (no pilot tone)
Crosstalk	<80 dB at nominal load for 1 kHz
Distortion	<1% (@ 1 kHz) @ -10dB of rated output

Mechanical

Dimensions (H x W x d)

for tabletop use, with feet 92 x 440 x 305 mm (3.6 x 17.3 x 12 in)

for 19" rack use, with brackets 88 x 483 x 305 mm (3.5 x 19 x 12 in)

19" 'in-front' brackets 40 mm (1.6 in)

Weight

SPA 2120 12,3 kg (27,1 lb)

SPA 2240 18,5 kg (40,8 lb)

Mounting

Standalone or 19"-rackmount

Color

RAL7016

Environmental

Operating temperature -5 °C to +55 °C (+23 °F to +131 °F)

Storage temperature -40 °C to +70 °C (-40 °F to +158 °F)

Relative humidity 15% to 90%

Air pressure 600 to 1100 h Pa

Ordering informations

SPA 2120

SPA 2240

