

# PAVIRO Key Switch

PVA-1KS



**BOSCH**

**en**    Installation note



---

## Table of contents

<b>1</b>	<b>Short information</b>	<b>4</b>
<b>2</b>	<b>Installation</b>	<b>5</b>
<b>3</b>	<b>Technical data</b>	<b>7</b>

## 1 Short information

The PVA-1KS is an optional key switch for installation in the PAVIRO call stations. The feed lines of the key switch are monitored for short-circuits and interruptions. For more information, see the call station manual.

### Parts included

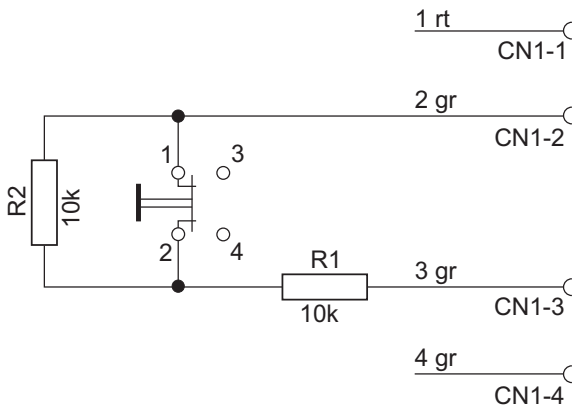
Quantity	Component
1	Key switch
1	Preconfigured 4-pin connecting cable
2	Resistor 10 k $\Omega$
1	Installation note

## 2 Installation

Please refer to section 5.3 “Retrofit options” in the PVA-15CST call station manual for installation instructions.

The supplied 4-pin cable and the resistors must be connected as shown in figure 2.1 (normally closed contact, NCC) to lock the call station via the key switch.

Note the connection sequence of the ribbon cable. The two external cables 1 (red) and 4 (green) must be cut as close to the cut-off point as possible and isolated. The two internal cables 2 (green) and 3 (green) must be soldered to switch connections 3 and 4. The polarity is not important.



**Figure 2.1: Connecting the key switch as normally closed contact (NCC) for key lock function**

### 3 Technical data

Net weight	30 g
Shipping weight	40 g







**Bosch Security Systems B.V.**

Torenallee 49  
5617 BA Eindhoven  
The Netherlands

**[www.boschsecurity.com](http://www.boschsecurity.com)**

© Bosch Security Systems B.V., 2015