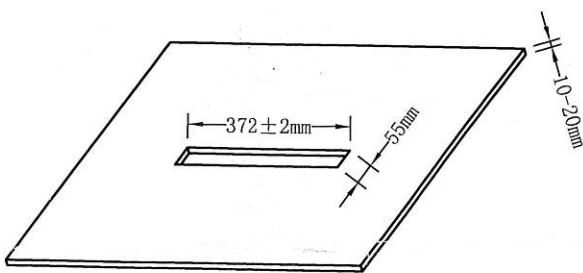
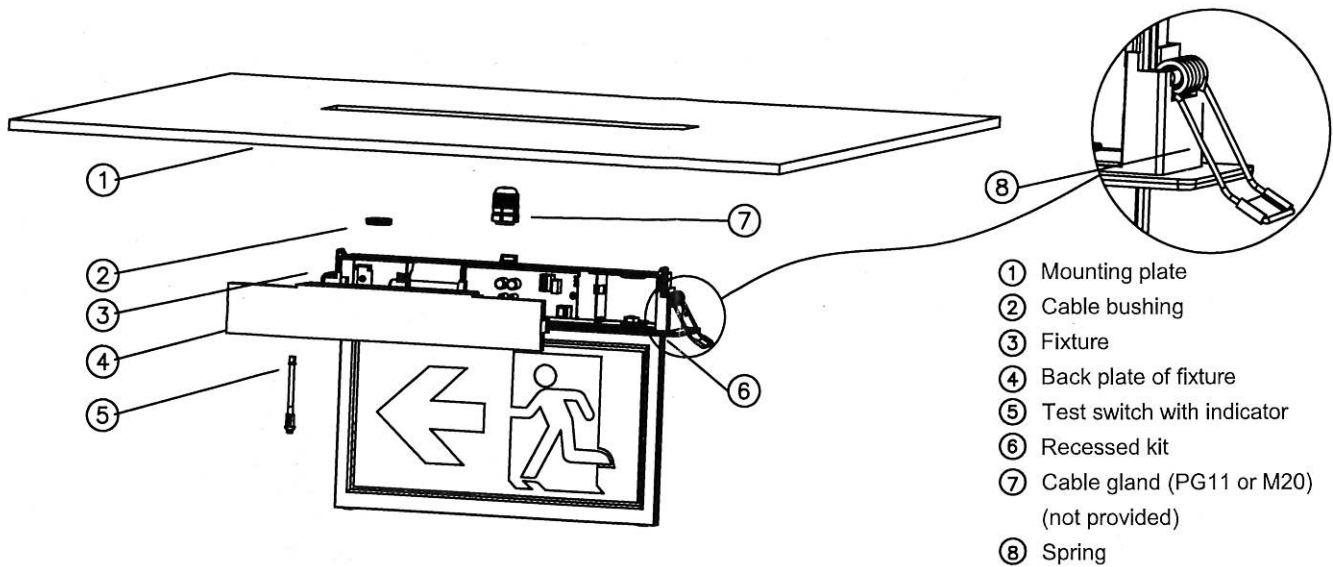
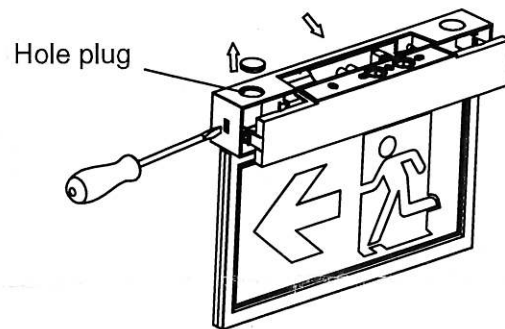


# Tillbehör

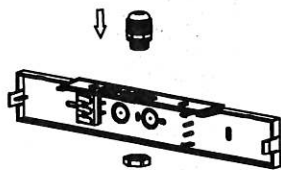
## Infällnadsram SAC-Li-LEAD 30m, 40m, Signum A 30m



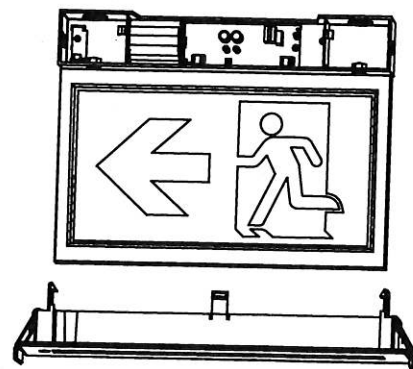
1, Make a cut out hole, dimension 372mm\*55mm. The thickness of mounting plate 10 to 20 mm.



2, Remove back plate from fixture, then remove hole plug at test switch side.

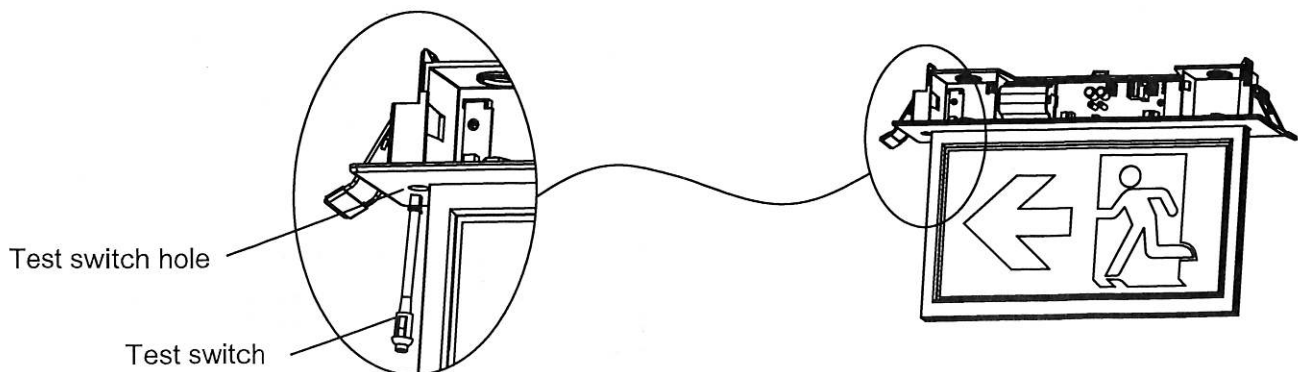


3, Knock-out cable entry hole, assemble cable gland on fixture, through cable to cable gland then make correct AC connect (ref. main fixture instruction).

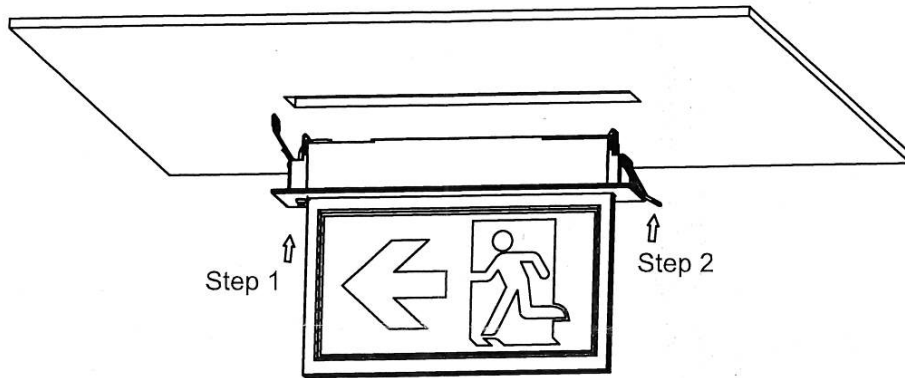
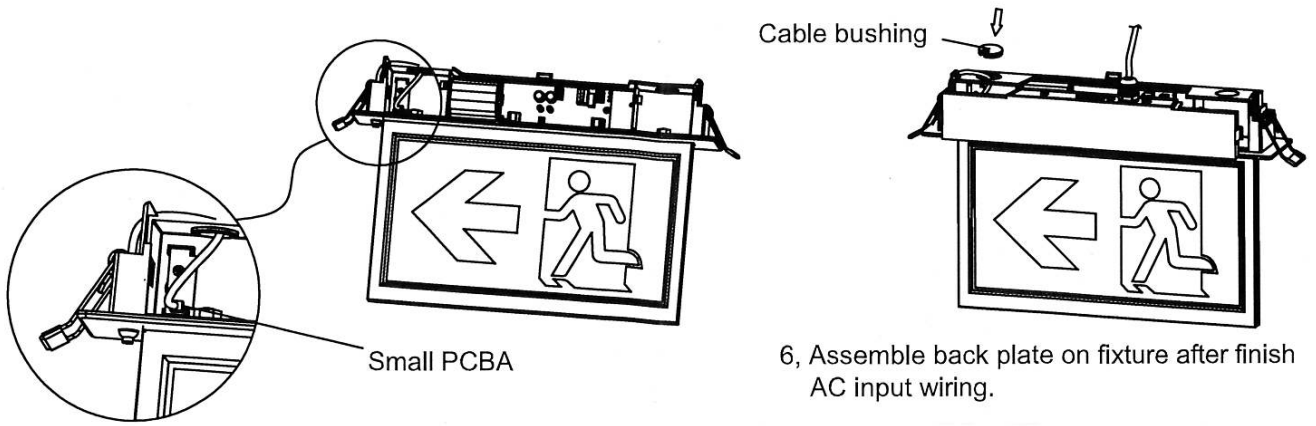


4, Assemble fixture on recessed kit, notice the direction of fixture.

5, Snap test switch on recessed kit.

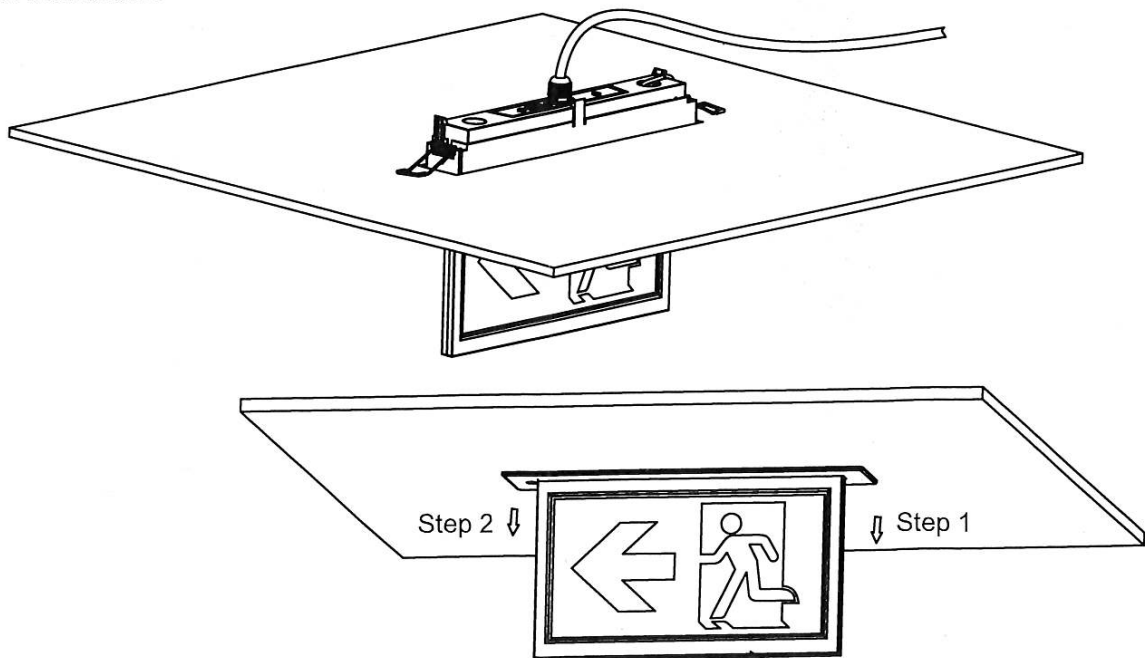


6, Snap Test switch connector on small PCBA.  
assemble cable bushing.



7, Rotate spring to up, press the fixture with recessed kit on mounting plate, press in one side then another.

8, Finish installation.



9, Instruction for dismount the fixture.

Pull out fixture from on side then another side.

SAC Nordic AB

Prästtorpsvägen 16  
341 51 Lagan  
+46 (0) 372-35 000  
sacnordic.com  
info@sacnordic.com

